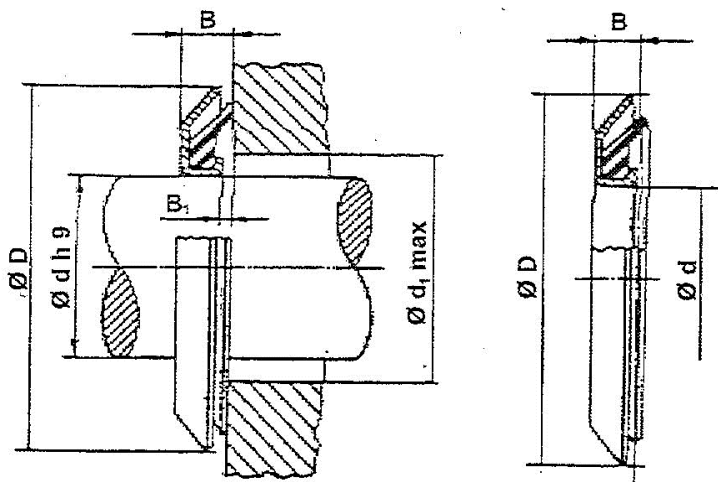


# BEST RING INDUSTRIAL CORPORATION

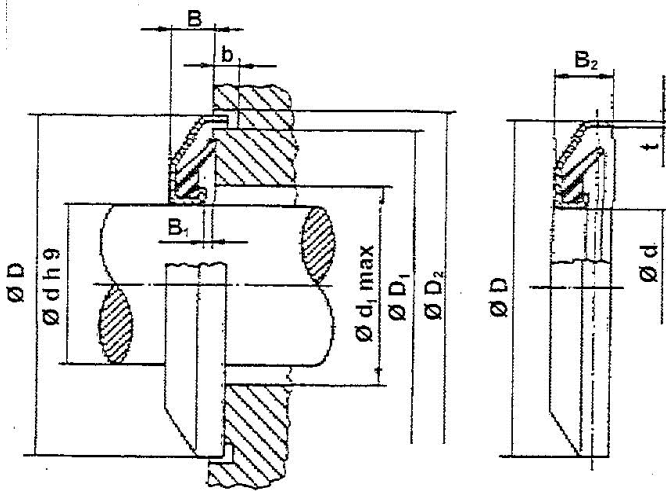
## GAMMA SEAL / RB TYPE SIZE LIST



d	D	B
10	24	3.5
12	26	3.5
15	30	4.0
16	32	4.0
17	32	4.0
18	33	4.0
20	35	4.0
22	40	4.0
24	40	4.0
25	40	4.0
26	40	4.0
28	43	4.0
30	47	4.5
32	49	4.5
35	52	4.5
40	57	4.5
45	62	4.5
48	65	4.5
50	70	5.5

d	D	B
52	72	5.5
53	73	5.5
55	75	5.5
58	78	5.5
60	80	5.5
62	82	5.5
65	85	5.5
68	88	5.5
70	90	5.5
72	92	5.5
75	95	5.5
78	98	5.5
80	100	5.5
85	105	5.5
90	110	5.5
95	115	5.5
100	120	5.5
105	125	5.5
125	148	6.5

# GAMMA SEAL / 9RB TYPE SIZE LIST



d	D	B
15	32	4.0
17	34	4.0
20	37	4.0
25	42	4.0
30	48	4.5
35	53	4.5
40	58	4.5
45	63	4.5
50	72	5.5
55	77	5.5
60	82	5.5
65	87	5.5
70	92	5.5
75	97	5.5
80	102	5.5
85	107	5.5
90	112	5.5
95	117	5.5
100	122	5.5

NOTE :

1. MATERIAL : NBR 80 BLACK+ STEEL
2. BEST RING can supply end caps *CUSTOMIZATION*, and according to your sample or drawing to develop and produce.